

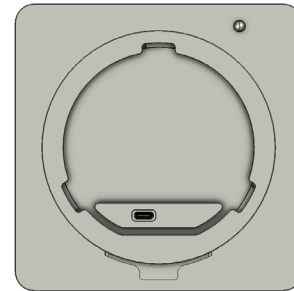
BioProTT™ FlowSU System



MULTI-USE FLOW METER

FEATURES

- One multi-use flow meter for all available sensor sizes
- Power over Ethernet (PoE)
- Stainless steel
- Easy sensor exchange through innovative locking mechanism



TECHNICAL SPECIFICATIONS

| | |
|--|--|
| Dimensions (H x W x D) and Weight | 135 x 135 x 45 mm ± 5 mm; approx. 1320 g |
| Housing Material | stainless steel (316L; material no. 1.4404 (X2CrNiMo17-12- 2)) |
| Surface Roughness | Rz = 10 |
| Powering and Data Transfer to Host System | PoE (IEEE 802.3af; voltage range 36 V - 57 V) |
| Interface | Modbus TCP (RJ-45 connector) |
| Connection to Sensor | female USB-C connector |
| Mounting | with four screws of the type M5 x 12 |
| Compatibility | single-use BioProTT™ FlowSU Sensor |
| IP Class | IP 20 in unmated and/or dismantled condition IP 65 (=UL 50E Type 2) in mated and/or mounted condition |
| Expected Product Life | 5 years |
| Cleaning and Disinfection | using alcohol-based surface cleaners |

ACCURACY

| Sensor Size | maximum deviation at flow rates below Qmin | accuracy between Qmin and Qmax |
|-------------|--|--------------------------------|
| 1/4"* | 20 ml/min | 2 % |
| 3/8"* | 25 ml/min | 2 % |
| 1/2" | 30 ml/min | 2 % |
| 3/4"* | 80 ml/min | 2 % |
| 1"* | 120 ml/min | 2 % |

Please note: The specified accuracies were determined under the following conditions:

- medium: distilled water with sodium chloride (salinity between 0.8 ppt and 1.4 ppt) and fully developed flow profile
- straight inlet section: 15 x inner diameter of sensor

Please also note:

- The accuracy is specified within the defined flow measurement range. The flow measurement range is limited by the Qmin and the Qmax.
- The installation position of the BioProTT™ FlowSU System in regard to the positioning of pumps and valves within the circuit impacts the measurement and must be taken into account when it comes to the accuracy of the BioProTT™ FlowSU System.

* Will be available soon. ** In combination with appropriate tubes.

AMBIENT CONDITIONS DURING TRANSPORT, STORAGE, AND OPERATION

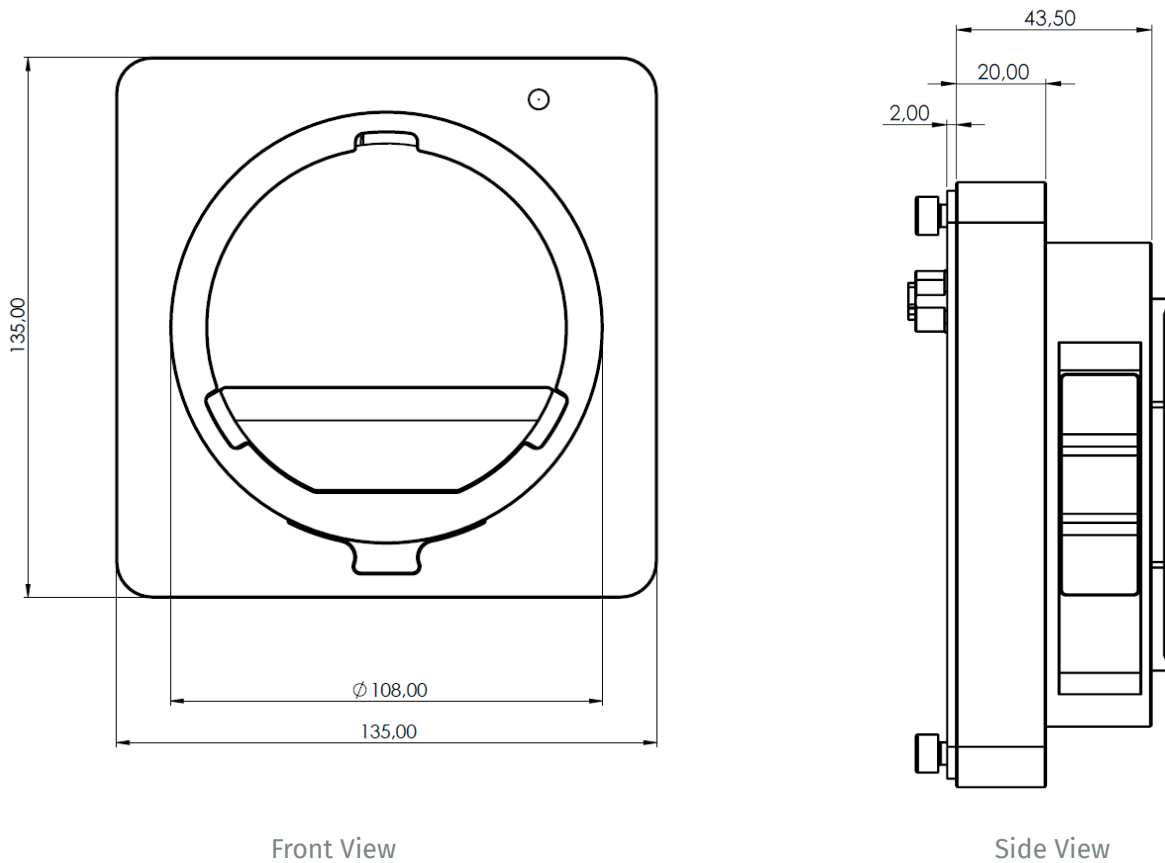
Transport and Storage

| | |
|-----------------------------|-----------------------------------|
| Atmospheric Pressure | 70 kPa to 106 kPa |
| Temperature Range Transport | -20° C to 55° C (-4° F to 131° F) |
| Temperature Range Storage | -20° C to 45° C (-4° F to 113° F) |
| Relative Humidity | 10 % to 96 % (non-condensing) |

Operation

| | |
|----------------------|----------------------------------|
| Atmospheric Pressure | 70 kPa to 106 kPa |
| Operating Altitude | up to 2000 m (6600 feet) |
| Temperature Range | 10° C to 40° C (50° F to 104° F) |
| Relative Humidity | 10 % to 96 % (non-condensing) |

TECHNICAL DRAWING



Front View

Side View